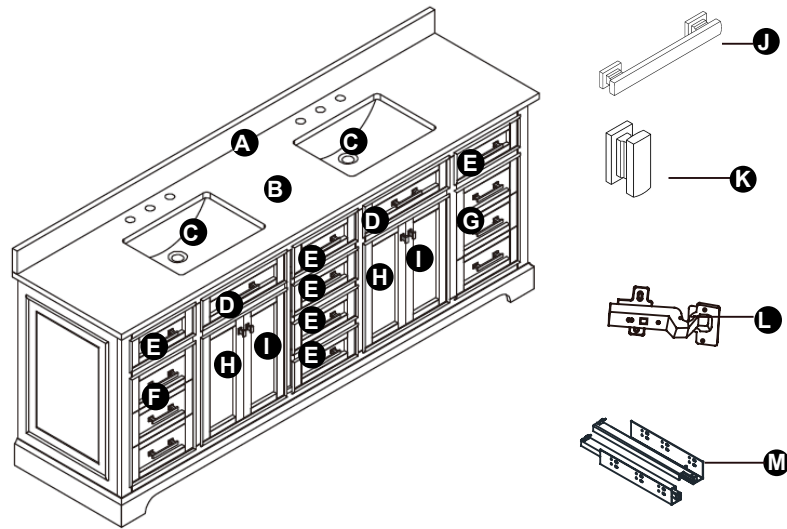


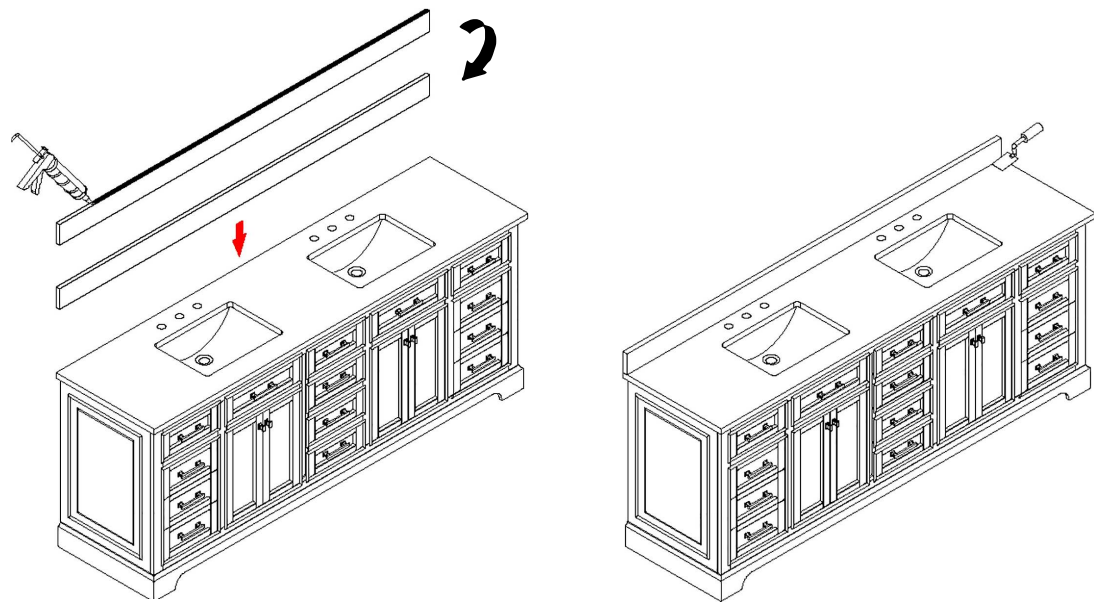
PART LIST



PART #	DESCRIPTION	PART #	DESCRIPTION
A	Backsplash	H	Door (left)
B	Countertop	I	Door (right)
C	Basin	J	Drawer Handle
D	Flip down panel	K	Door Handle
E	Drawer	L	Hinge
F	Triple depth drawer (left)	M	Drawer glides
G	Triple depth drawer (right)		

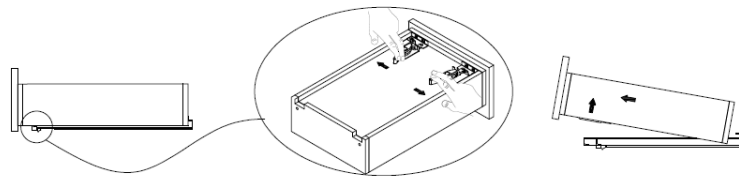
ATTACHING BACKSPLASH

Following tools are required (not supplied)



REMOVING / INSTALLING DRAWER

REMOVE



INSTALL



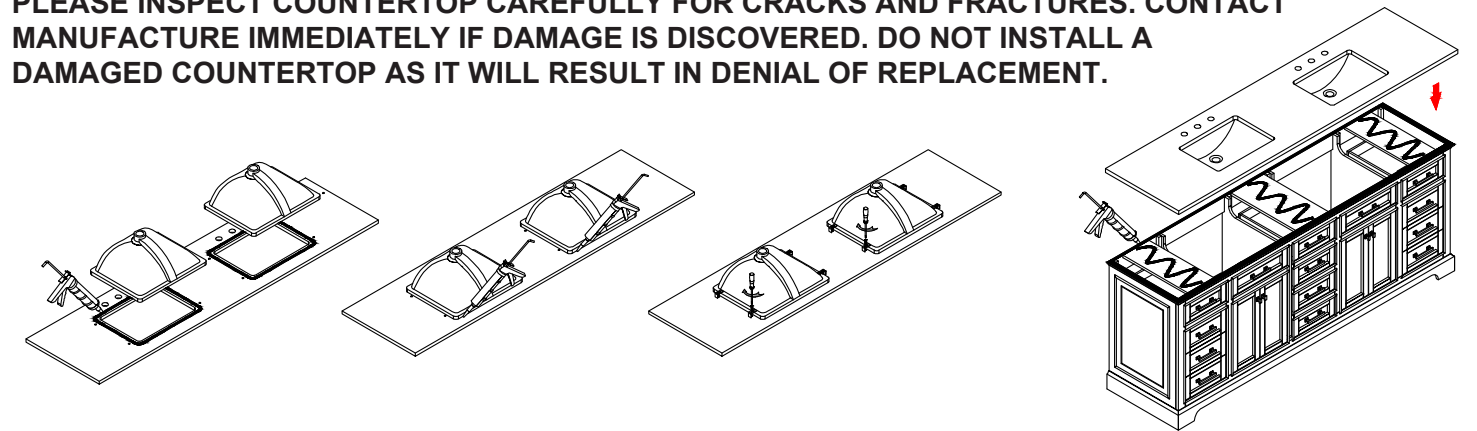
INSTRUCTION FOR ATTACHING COUNTERTOP

The countertop is affixed to the cabinet by using glue. Please follow the instruction below to attach the countertop to the cabinet.

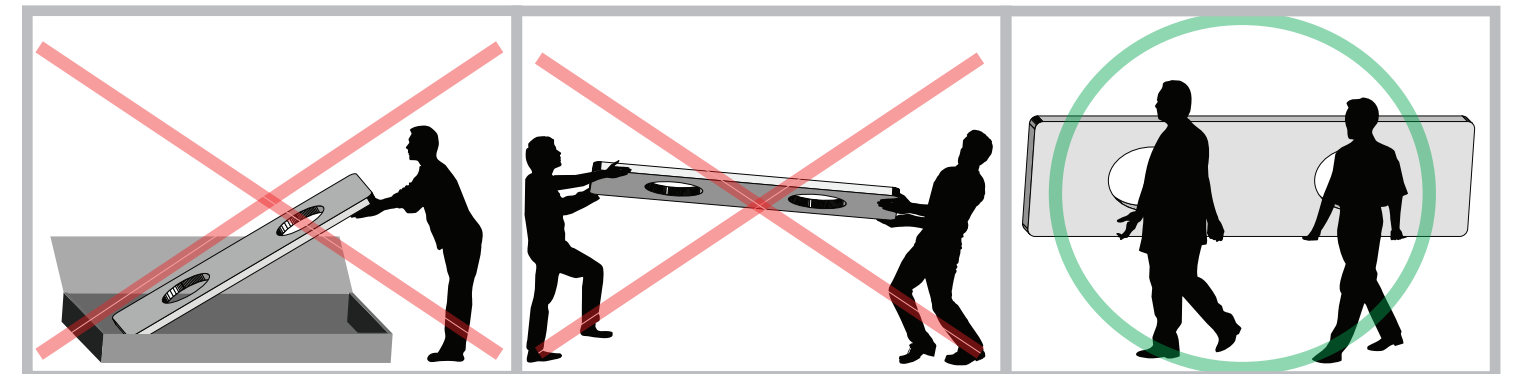
The countertop is VERY HEAVY and FRAGILE, be sure to have one or more helper to move the countertop. Before getting started, please prepare for the following:

1. Place countertop backward, align the sink to the pre-drawn mark.
2. Apply epoxy between the countertop and sink.
3. Fasten the sink clip over the sink lip. DO NOT OVER TIGHTEN to avoid cracking the countertop.
4. Apply additional epoxy around the edge.
5. Allow sufficient time for it to dry. For actual wait time, refer to epoxy instruction.

PLEASE INSPECT COUNTERTOP CAREFULLY FOR CRACKS AND FRACTURES. CONTACT MANUFACTURE IMMEDIATELY IF DAMAGE IS DISCOVERED. DO NOT INSTALL A DAMAGED COUNTERTOP AS IT WILL RESULT IN DENIAL OF REPLACEMENT.



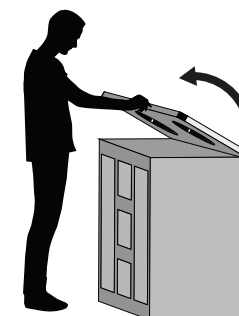
IMPORTANT INSTRUCTION FOR HANDLING COUNTERTOP



Never lift the countertop flat

Never carry the countertop flat

Lift the top with long edge facing-up



Lower the countertop so that it lays flat on the cabinet, while supporting it from the side and front. Be careful not to catch your fingers under the countertop. It is best to lower the countertop by supporting from the front as it comes down onto the cabinet.

Reattach the countertop using the wood connectors. (See the instruction above)



COUNTERTOP CARE GUIDE

Countertop is inherently hard and durable, with proper care and maintenance, your countertop can last for decades, be it granite, marble, or travertine. Observance of this Care & Maintenance Guide will help you prolong the life of your stone countertop.

Natural Stone Disclaimer

The purchaser acknowledges that natural stones such as Travertine, Marble, Slate, Limestone and Granite are natural stone and have been quarried from all over the world. As natural products, no two pieces of natural stone are exactly alike. They are prone to variations in color, texture, shade and veining, which are not to be considered as a defect.

It is the customer's responsibility to inspect the material before installation. Design Element does not warranty natural stone products for shade coloration, size/ thickness variation, clefting, nor surface finish variation. Absolutely no claim will be accepted for any reason after the material has been installed.

Sealing

All natural stone is porous and should be sealed before use and every 6-12 months, depending on usage to prevent the surface from getting stained or discolored, but will also make the surface more durable against wear and tear.

Avoid Irregular or Excessive Weight on the Stone Surfaces

Stone countertops are tough and durable, but because of its rigidity, will crack under irregular or excessive weight. Do not apply too much weight to any one spot, as this may cause the stone to crack. Do not sit or stand on the countertop surface. Also, be observant of what wall decorations hang over the stone countertops. If the hanging decorations are heavy and fall onto the countertop, the natural stone may crack under the stress.

Regular Stone Care

Natural stone needs to be cleaned regularly to maintain its natural sheen and vitality.

DO'S

- ✓ Clean stone surfaces with warm water, a mild liquid soap like dishwashing detergent, and a non-abrasive cloth.
- ✓ Thoroughly rinse and dry the surface after washing.
- ✓ Blot up spills immediately.

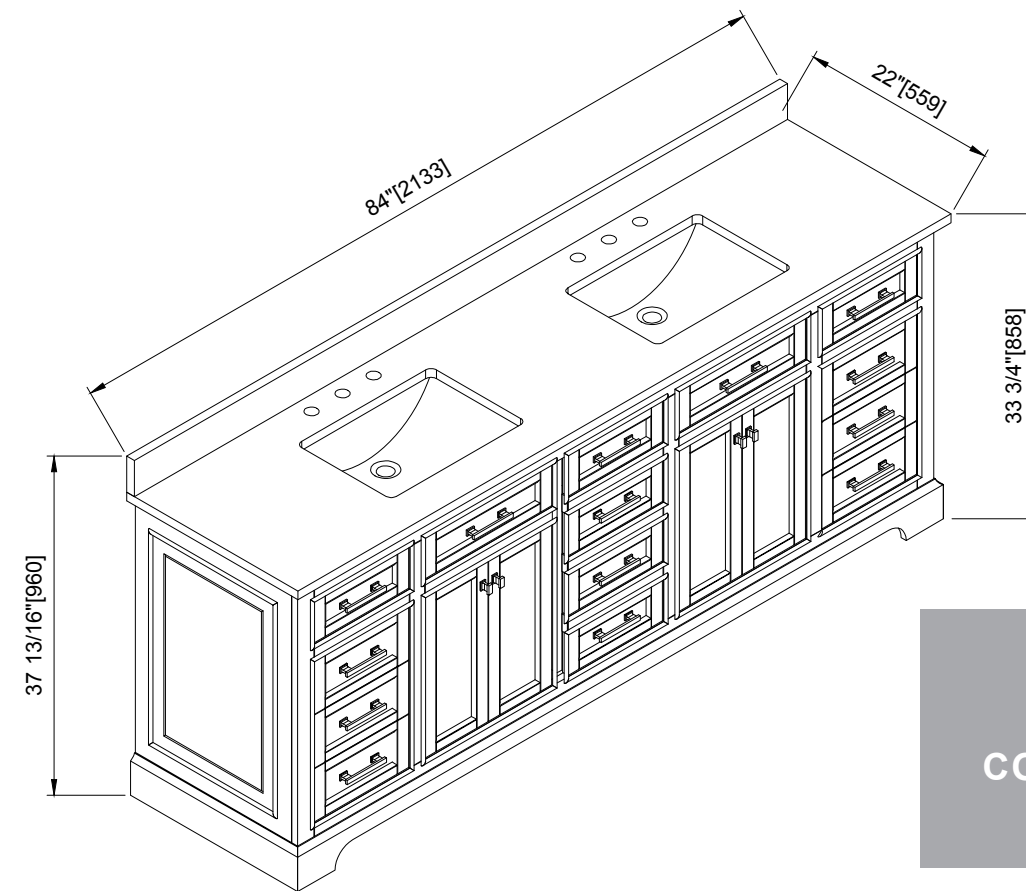
DON'TS

- ✗ Do not use products that contain lemon, vinegar or other acid content that may etch the surface.
- ✗ Do not use abrasive cleaners such as dry cleaners or soft cleansers.
- ✗ Do not use cleaners that contain acids such as bathroom cleaners, grout cleaners, or tile cleaners.
- ✗ Do not apply acetone or any type of paint thinner.
- ✗ Frequent or over-use of soap scum remover could result in dulling the surface of the stone.

ANY QUESTIONS? WE ARE HERE TO HELP.

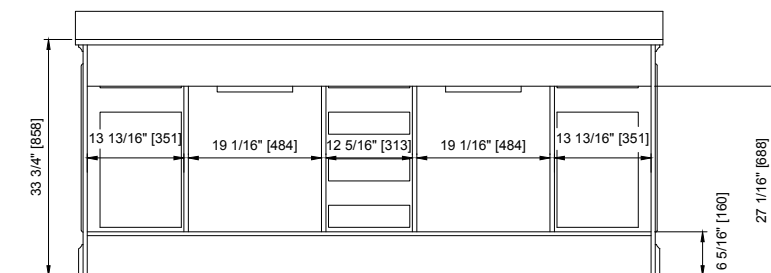
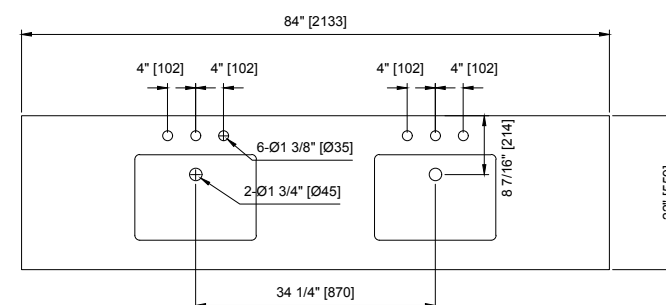
Please contact us at cs@designelementusa.com or TOLL-FREE 888-487-4488.
9AM-5PM PST | MONDAY TO FRIDAY

BATHROOM VANITY OWNER'S MANUAL



Milano
COLLECTION | 84-INCH
SKU: ML-84

DIMENSIONS



- Carefully read the instructions, before starting the installation.
- This vanity should be installed by an experienced plumber.
- Drain assembly is not supplied.

If you are missing any part, please stop and contact us immediately at: 1-888-487-4488